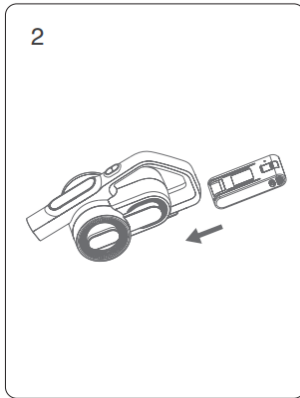


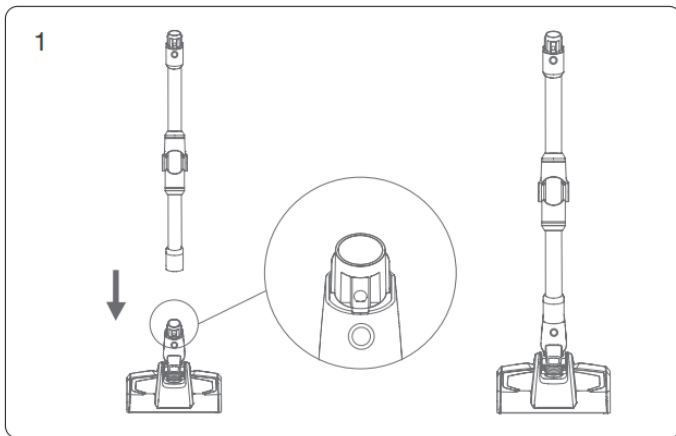
JIMMY H8 FLEX / H10 PRO Cleaning & Replacing Parts



Assemble the battery pack

Hold the hand-held vacuum cleaner in one hand, hold the battery pack in the other hand, aim at the guiding groove on the body, slide in the battery pack according to the arrow direction shown in the picture. Pull the battery pack after installation to make sure it does not get loose.

Attention: when the vacuum cleaner is long idled, please remove the battery, pack the product and store it in a cool and dry place, avoid direct sunlight or humid environment.



Assemble electric floor head with metal tube

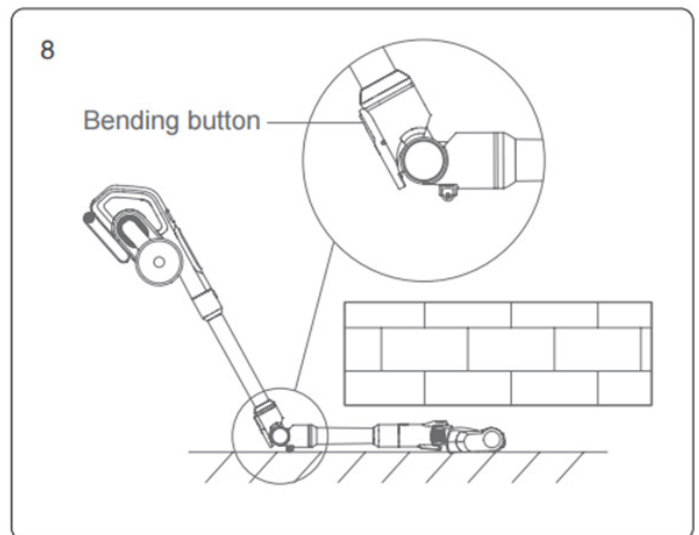
Hold the floor head with left hand, use right hand to insert the metal tube vertically into floor head, align with the conductive needle, press the tube until a "click" sound is heard.

Attention: Keep the handle and floor head in the same direction, conductive needle shall align with the socket.

Use of flexible metal tube

The flexible metal tube has two modes: vertical and bending. The vertical mode is equivalent to the normal metal tube. The bending mode can be used for cleaning under the table bottom, bed bottom, etc.

When the bending mode is needed, press the bending button as shown in the picture, and the metal tube can achieve 0-90° bending angle.



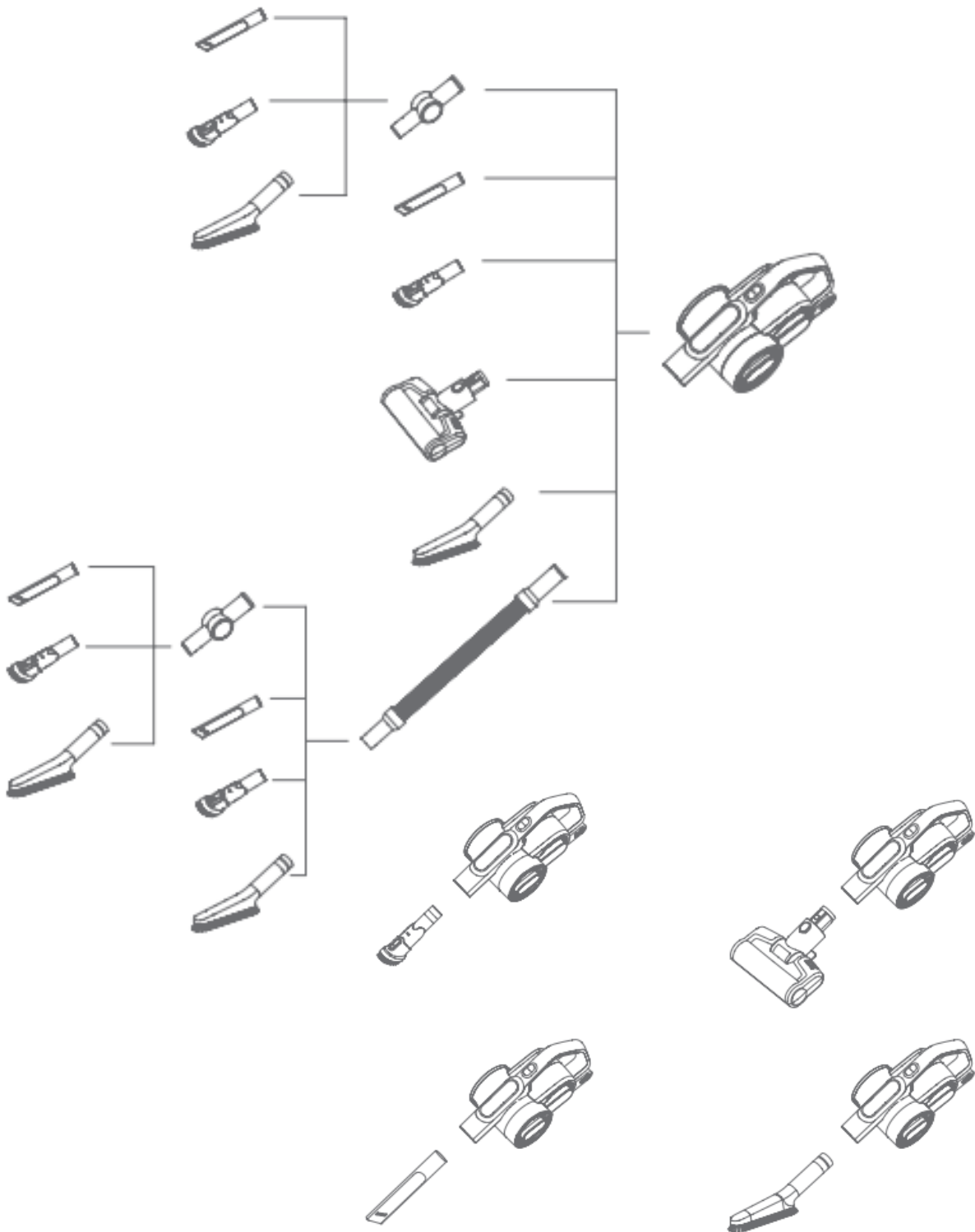
Assembly of Accessories

For the convenience of use, this product is specially equipped with some accessories for the hand-held part of the vacuum cleaner.

When you use the handheld vacuum cleaner alone, you can directly connect the accessories according to your needs or connect the accessories through the stretch hose.

Name	model	H8 Flex
Electric mattress brush		
Upholstery tool		
Crevice tool		
Soft brush		
Stretch hose		
Connector		

Accessories Connection List



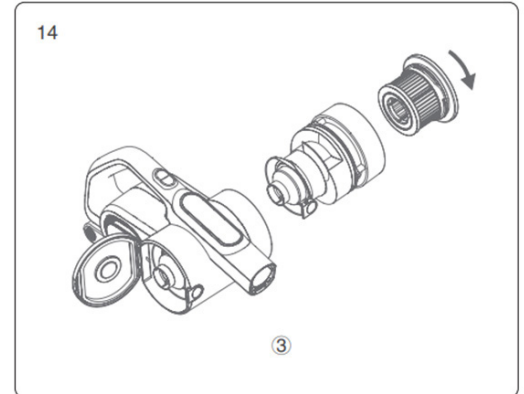
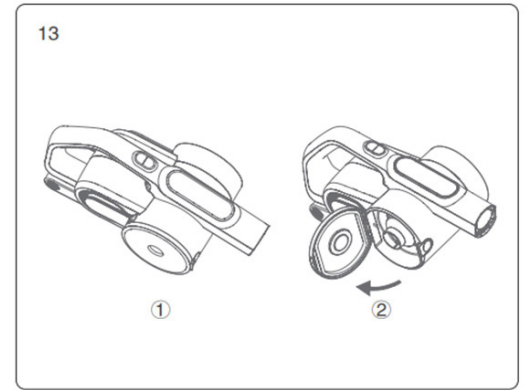
Cleaning and Replacing Parts

Attention:

1. HEPA filter is available for sale from Jimmy Mauritius.
2. It is recommended to clean the dust cup after each use; When the dust cup is full or the HEPA filter is clogged, it needs to be cleaned and replaced if necessary.
3. Electric floor head brushroll might be entangled with hair after long time use. It needs to be cleaned in time to keep the vacuum working more efficiently

Clean dust cup and filtration system

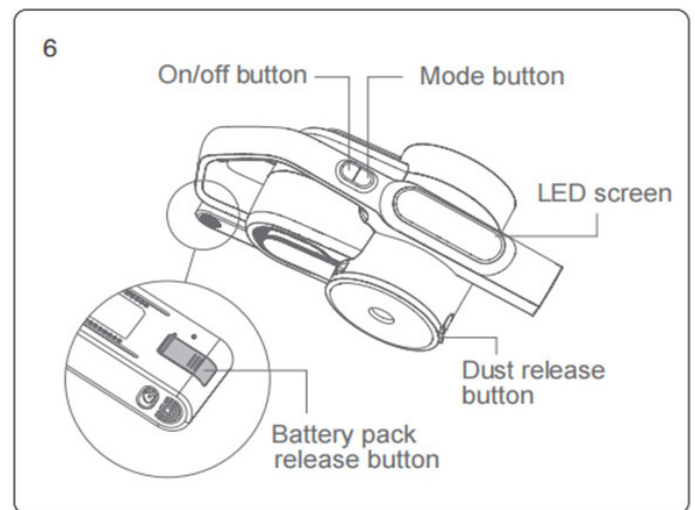
1. Press down the dust cup bottom cover, open dust cup and dump dust into trash can.
2. Hold HEPA lid and rotate anti-clockwise, remove HEPA assembly from handheld vacuum for cleaning.
3. Hold top of cyclone assembly and rotate anti-clockwise, remove cyclone assembly from handheld vacuum for cleaning.
4. If HEPA needs wash, hold the HEPA and rotate clockwise, remove it from HEPA lid for washing. HEPA needs completely dry before reuse.
5. After cleaning, assemble the parts back in the opposite sequence of disassembly.



Charging

To charge the vacuum cleaner, plug the charger into an A/C power socket and hang the handheld cleaner on the holder. The LED display indicates charging progress, showing an increase in power.

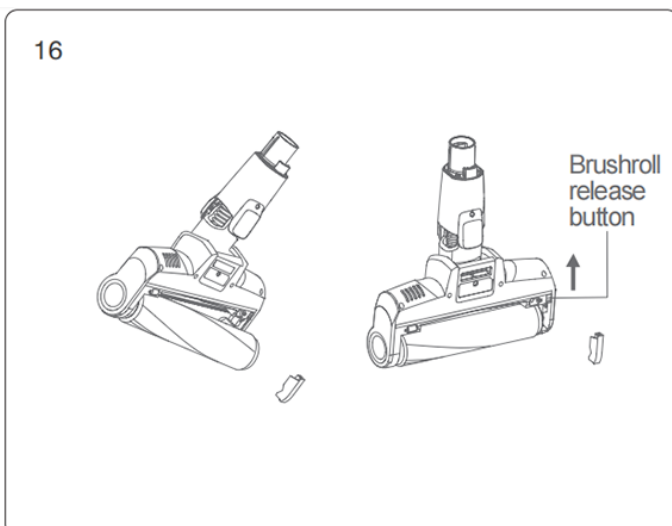
When fully charged, the display shows 100%. If charging the battery pack separately, the indicator turns green after completion.



Clean brushroll

1. Move the brushroll release button along the arrow direction remove side cover.
2. Remove one end of the brushroll and take it out from nozzle for cleaning.
3. After cleaning or replacing brushroll, assemble it back in opposite sequence of disassembly.

Important: Regularly clean the Electric Brush part to prevent hair from getting tangled.



SAFETY NOTES

1. This vacuum cleaner is designed for home use. Do not use it for commercial or other purposes.
2. Please read this instruction manual carefully before use, properly save and store it for future use.
3. Do not put the vacuum close to fire or other high temperature facility.
4. Do not use or store the machine under extreme bad conditions, for example, extreme temperature. It is recommended to use it indoors between the temperature of 5 °C to 40 °C. Store the machine in dry place and avoid direct sunlight.
5. Fully charge the battery before first use or after long storage.
6. Before using the vacuum, make sure brushroll is assembled, otherwise, it may lead to motor fan blockage, causing motor burn out.
7. Please do not use the vacuum to pick up detergent, oil, glass slag, needle, cigarette ash, wet dust, water, matches, etc.
10. Please do not use the vacuum to pick up tiny particles such as cement, gypsum powder, wall powder, or large objects such as paper balls, otherwise it will cause malfunctions such as blockage and motor burnout.
11. Avoid blockage to air inlet or brushroll, it may cause motor failure.
12. Do not put your hand or foot into floorhead inlet to avoid body hurt.
13. Do not pour or splash water or other liquids into the machine to avoid short circuit to burn out the machine.
14. If the brushroll is not working, please check whether the brushroll is entangled with hair or other long fiber, clean it in time.
15. When storing the machine for a long time, ensure that the battery is fully charged before storage and charge the machine at least every three months.
16. Unplug the charger to clean or repair the machine. Hold the charger when plugging or unplugging it, and do not pull the charging cord.
17. Use a dry cloth to clean the machine. Liquids like gasoline, alcohol, lacquer thinner will cause crack or colour fading and cannot be used.
18. If the machine is not working after fully charged, it must be checked and repaired in our designated office, please do not dismantle the machine on your own.
19. Discarded machine contains batteries. They should be recycled safely. Do not discard them randomly.
20. If there is damage on power cord, to avoid danger, it should be replaced or repaired by manufacturer repairing agency or professional person.
21. This appliance can be used by children aged from 8 years and above and persons with reduced physical, sensory or mental capabilities or lack of experience and knowledge if they have been given supervision or instruction concerning use of the appliance in a safe way and understand the hazards involved.
22. The appliance is only to be used with the power supply unit provided.