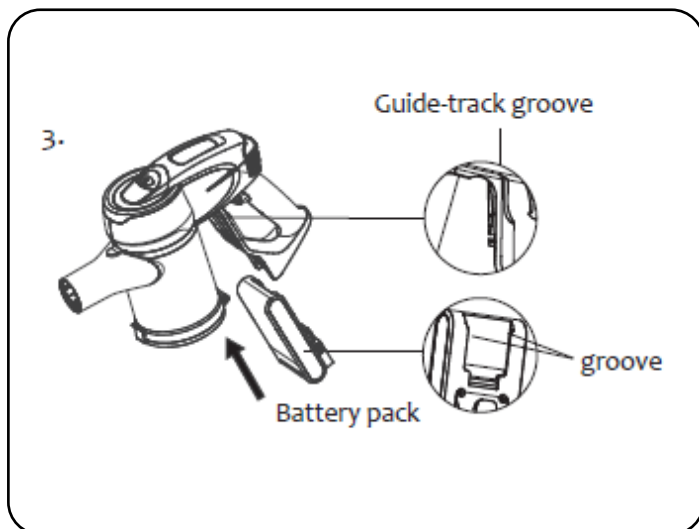


# Jimmy JV83 Cleaning & Replacing Parts

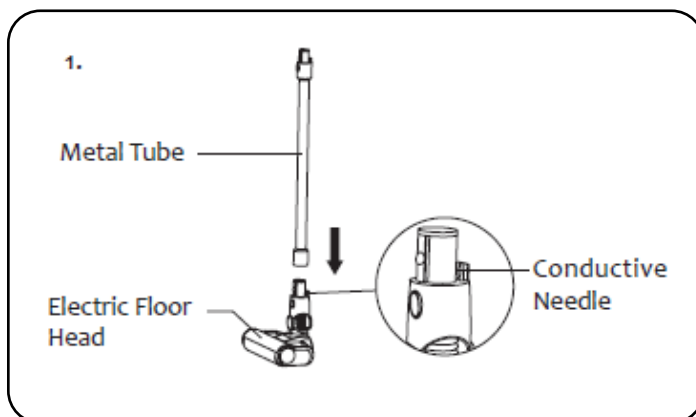


## Assemble the battery pack

Battery pack assembly: use one hand to hold handheld vacuum cleaner, one hand to hold battery pack, align with the guide-track groove, then install the battery pack until the "click" sound is heard. Pull hard the battery pack downwards, if the battery pack remain tight, which means battery pack assembly complete. (Picture 3)

## Assemble electric floor head with metal tube

Hold the floor head with left hand, use right hand to insert the metal tube vertically into floor head, align with the conductive needle, press the tube until a "click" sound is heard. Attention: Keep the handle and floor head in the same direction, conductive needle shall align with the socket.

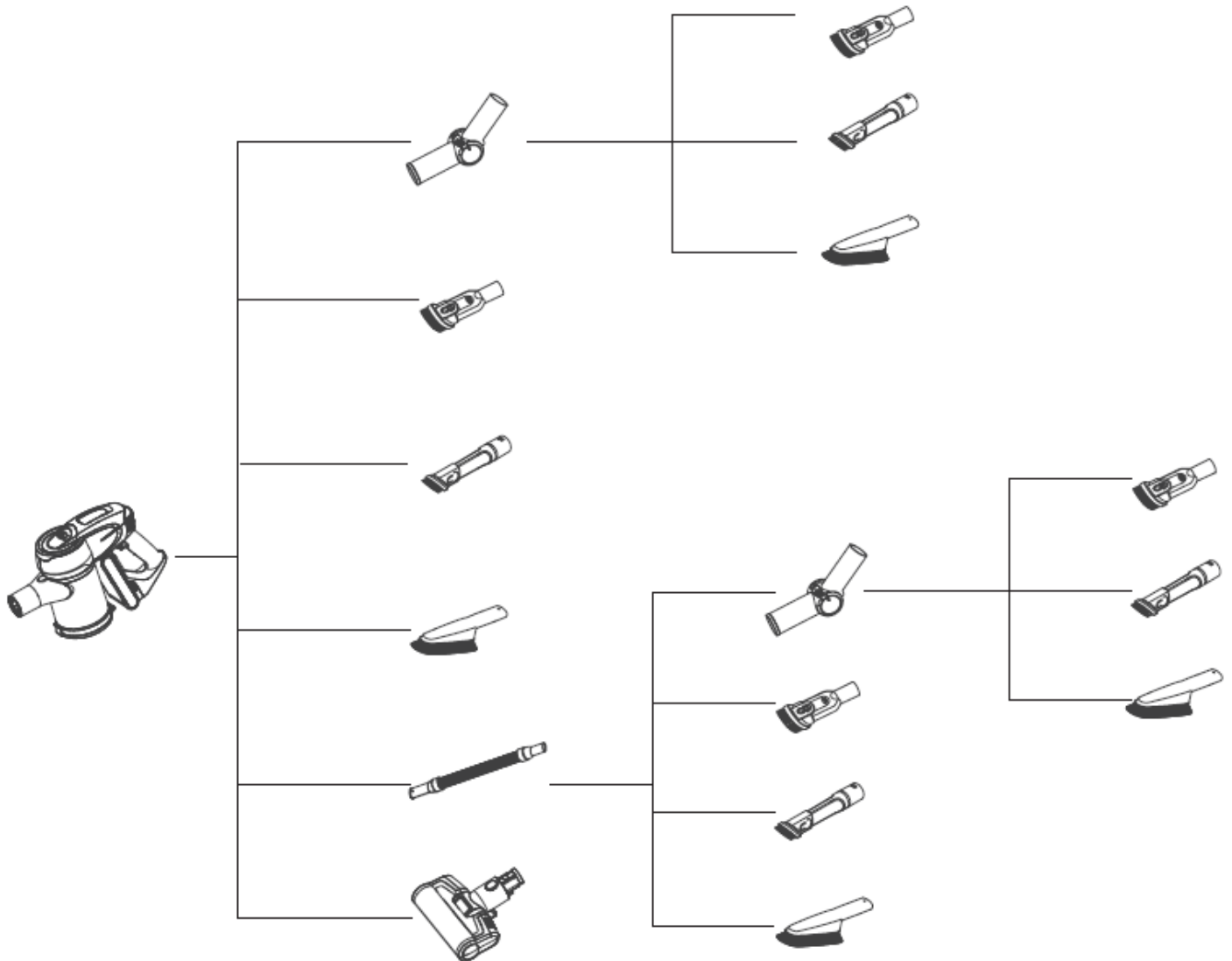


| NAME                   | Model | JV83 |
|------------------------|-------|------|
| Electric Mattress Head |       |      |
| 2-in-1 Upholstery Tool |       |      |
| 2-in-1 Crevice Tool    |       |      |
| Brush Soft             |       |      |
| Stretch Hose           |       |      |
| Connector              |       |      |

## Accessories Assembly

For ease of use, this product is specially equipped with accessories for the hand-held vacuum cleaner. The handheld can connect to different tools for different cleaning purpose.

# Accessories Connection List



## Cleaning and Replacing Parts

### Attention:

1. HEPA filter is available for sale from Jimmy Mauritius.
2. It is recommended to clean the dust cup after each use; When the dust cup is full or the HEPA filter is clogged, it needs to be cleaned and replaced if necessary.
3. Electric floor head brushroll might be entangled with hair after long time use. It needs to be cleaned in time to keep the vacuum working more efficiently

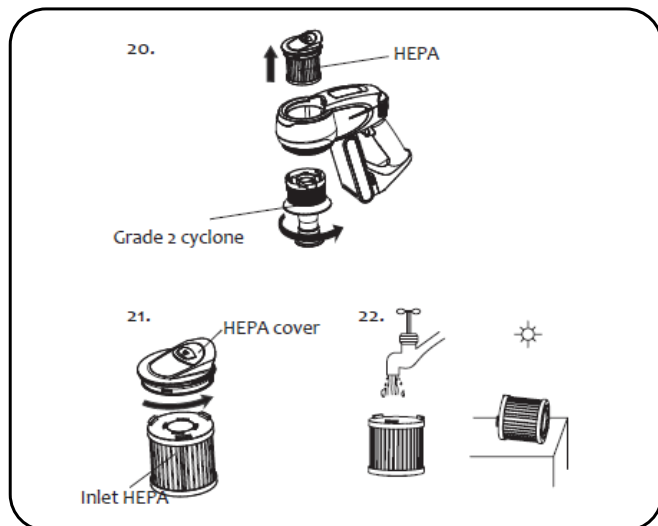
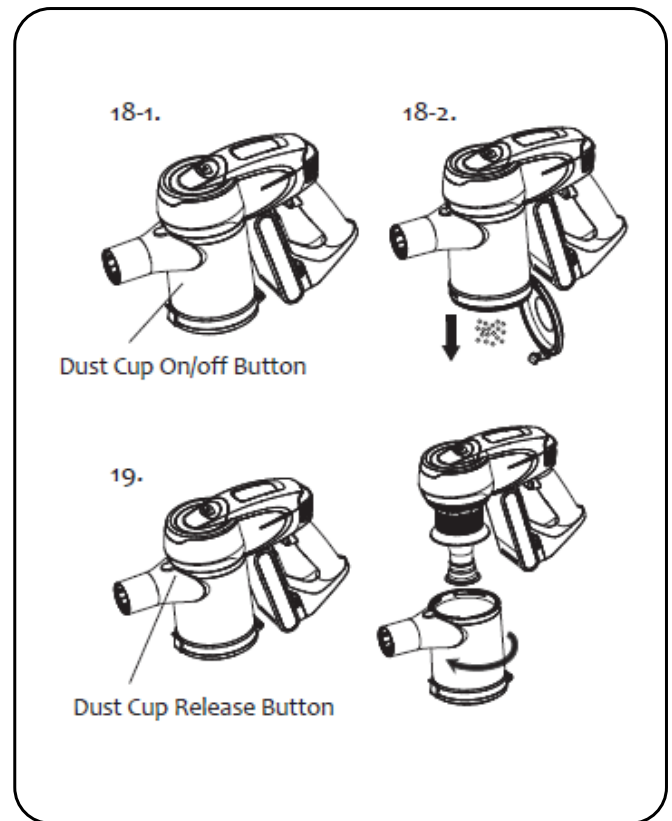
## Clean dust cup and filtration system

### Clean dust cup

Pull out downwards the dust cup On/ off button to dump dust in dust cup.(Picture 18)

Press hard the dust cup release button, hold steady the main body with right hand, rotate the dust cup in the direction shown on the picture, remove the dust cup from main body to further clean the dust cup.(Picture19)

1. Use your finger to release the cup button, take out the side cover of the cup.
2. After cleaning and replacing, reassemble it.



### Clean filter system

Hold the mainbody, take the HEPA upwards as shown on the picture, take out the HEPA, then take out Grade 2 cyclone system, clean them. (Picture20)

Fix inlet HEPA, rotate the HEPA cover in the same direction shown on the picture, separate the HEPA cover from inlet HEPA, which will be easily cleaned. After cleaning and drying, assemble again.

### Cleaning Electric Brushroll

1. Use your finger to release the brushroll button, take out the side cover of the brushroll.

2. Take out one side of the brushroll in the same direction as shown on the picture, then brushroll can be taken out to clean.

3. After cleaning and replacing, reassemble it.(Picture22&23)

